

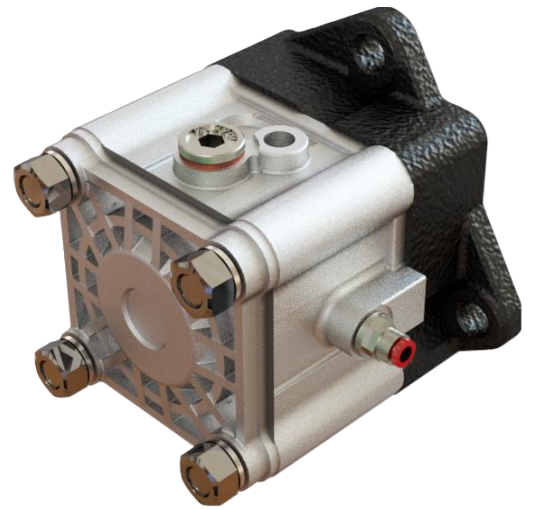
G1150

ORDERING CODE

81Z1XXXXXX

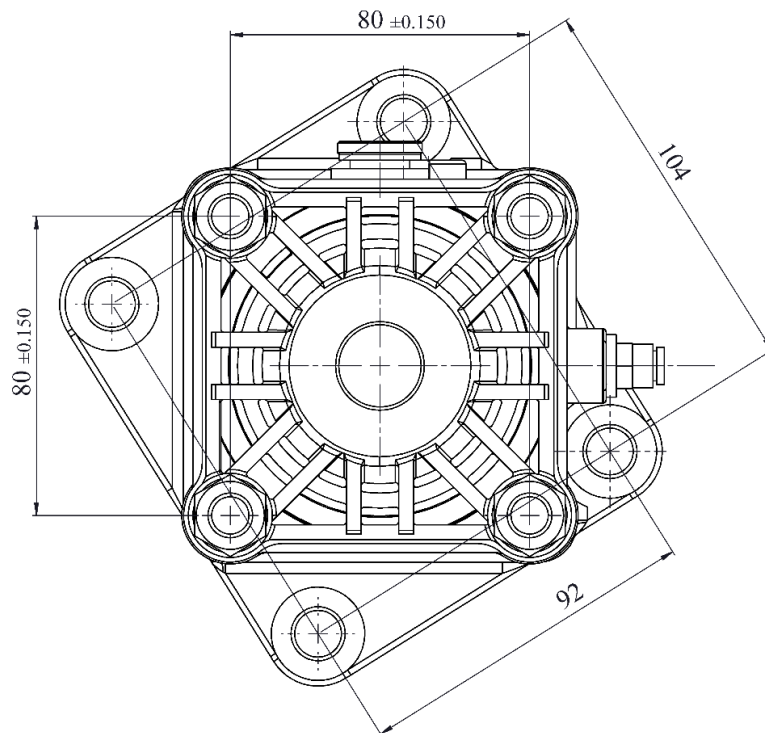
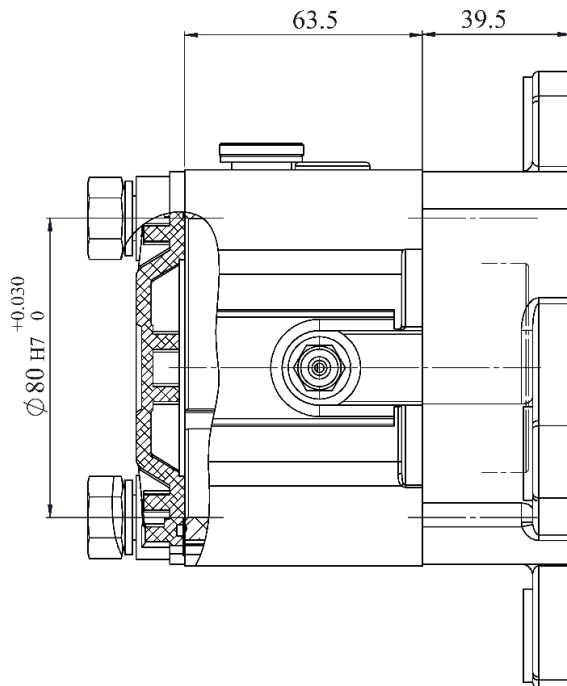
APPLICATION

TIPPER
WATE BOWSER
RECOVERY VEHICLE
LIFTING PLATFORM



TECHNICAL SPECIFICATION

GEAR BOX TYPE	TATA G1150
TORQUE	1000 NM
ROTATION DIRECTION	COUNTER ENGINE
ENGAGEMENT TYPE	PNEUMATIC
PTO INTERNAL RATIO	1.32
WEIGHT	4 kg
DURATION OF OPERATION	5MIN (max)
OPTIONS	PUMP 4BOLT - 43,57,65 FLANGE SPICER 1300



PTO WITH PUMP, PTO WITH FLANGE COMBINATION WILL BE SUPPLIED AS PER CUSTOMER REQUIREMENT

IPH reserves the right to modify the technical data mentioned into this catalogue without notice.
The herewith mentioned data are not bounding.