

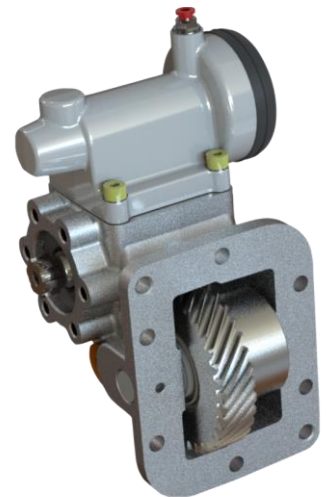
G400

ORDERING CODE

IPHIG4XXXX

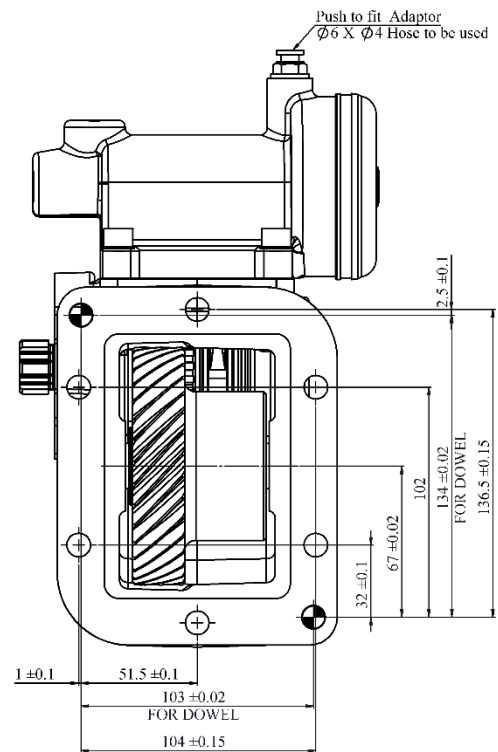
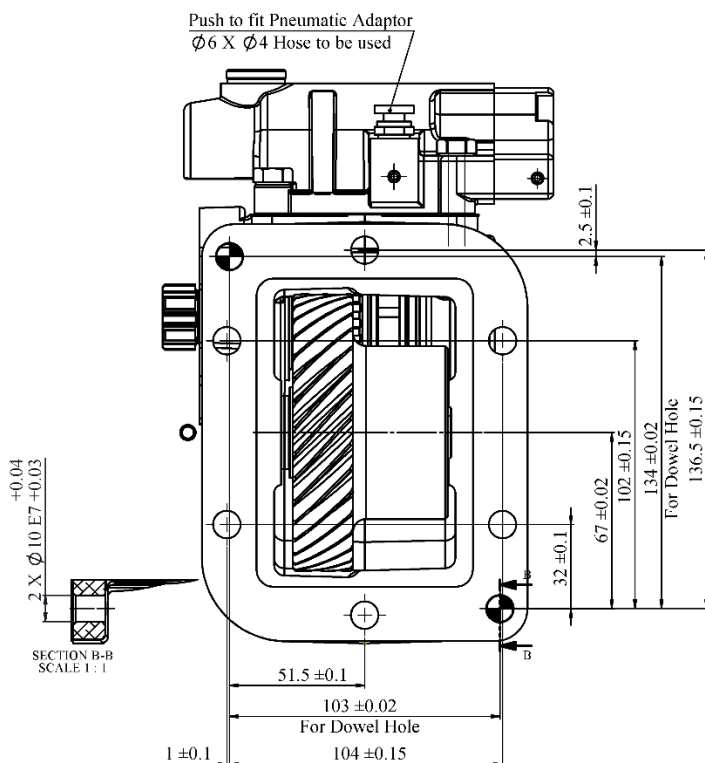
APPLICATION

JETTING TRUCK, LIFTING PLAT FORM
TRUCK MOUNTED CRANE
TANKER, GARBAGE COMPACTOR
BULKER, RECOVERY VEHICLE



TECHNICAL SPECIFICATION

GEAR BOX TYPE	TATA G400
TORQUE	250 NM
ROTATION DIRECTION	COUNTER ENGINE DIRECTION
ENGAGEMENT TYPE	PNEUMATIC/VACUUM
PTO O/P RATIO	0.986
WEIGHT	7 kg
DURATION OF OPERATION	30MIN (max)
OPTIONS	3bolt, 43,57,65CC
	SPICER 1300,DIN00



PTO WITH PUMP, PTO WITH FLANGE COMBINATION WILL BE SUPPLIED AS PER CUSTOMER REQUIREMENT

IPH reserves the right to modify the technical data mentioned into this catalogue without notice.
The herewith mentioned data are not bounding.

