

GBS 40

ORDERING CODE

420203XXXXX

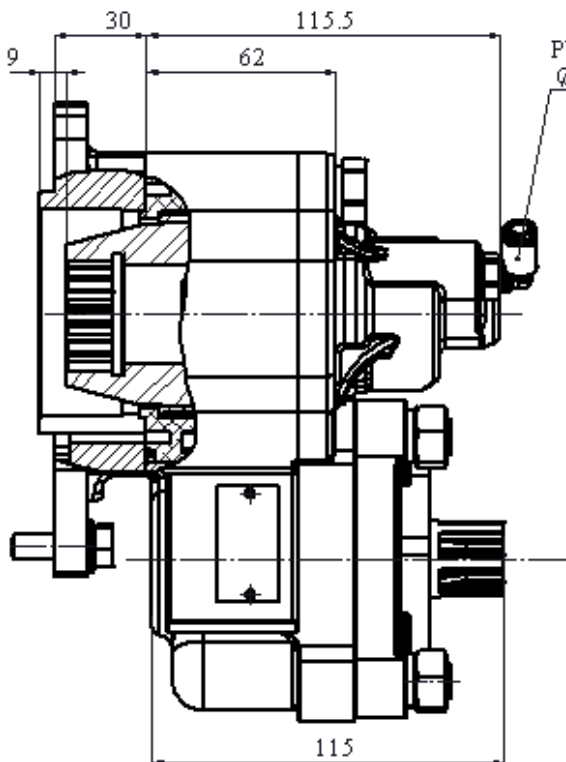
APPLICATION

TIPPER
WATE BOWSER
RECOVERY VEHICLE
LIFTING PLATFORM

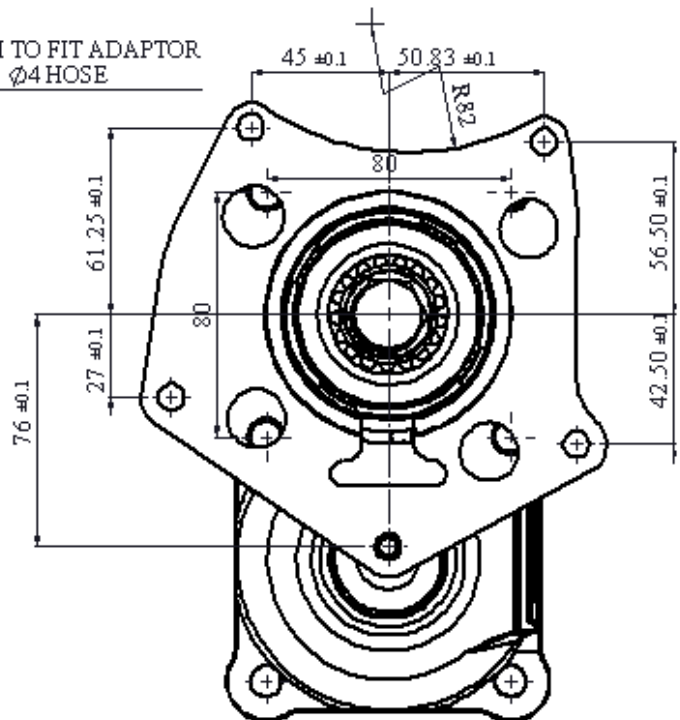


TECHNICAL SPECIFICATION

GEAR BOX TYPE	TATA GBS 40
TORQUE	300 NM
ROTATION DIRECTION	ENGINE DIRECTION
ENGAGEMENT TYPE	PNEUMATIC
PTO INTERNAL RATIO	1.32
WEIGHT	10.5 kg
DURATION OF OPERATION	5MIN (max)
OPTIONS	PUMP 4BOLT - 43,57,65 FLANGE SPICER 1300



PUSH TO FIT ADAPTOR
Ø6 x Ø4 HOSE



PTO WITH PUMP, PTO WITH FLANGE COMBINATION WILL BE SUPPLIED AS PER CUSTOMER REQUIREMENT

IPH reserves the right to modify the technical data mentioned into this catalogue without notice.
The herewith mentioned data are not bounding.