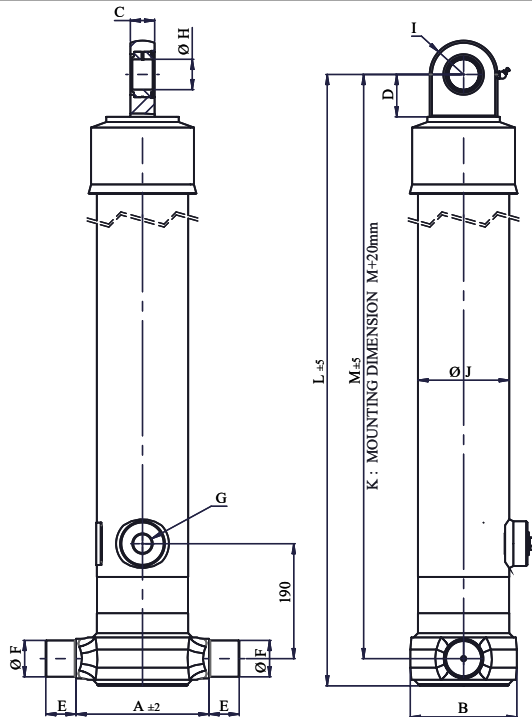


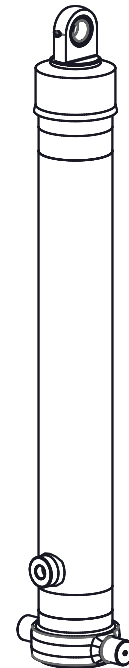
TECHNICAL SPECIFICATION

CYLINDER TYPE: FE-154-04-4250

TIPPING WEIGHT : 37 - 69 TONS



- A : 234 mm
- B : 176 mm
- C : 40 mm
- D : 70 mm
- E : 50 mm
- F : 60 mm
- G : 1" BSP
- H : 50 mm
- I : 56 mm
- J : 152 mm
- K : 1376 mm
- L : 1401 mm
- M : 1356 mm



FRONT END, SINGLE ACTING TELESCOPIC CYLINDER

Stages	1	2	3	4	5	6	Part No	: IFD154044250
Diameter (mm)	154	135	116	98			No. of stages	: 4
Stroke (mm)	1059	1063	1063	1065			Total stroke	: 4250 mm
Oil (L)	19.7	15.2	11.2	8			Working volume	: 54.2 L
Thrust (KN) @ P max	372	286	211	150			Avg. working load	: 181 KN

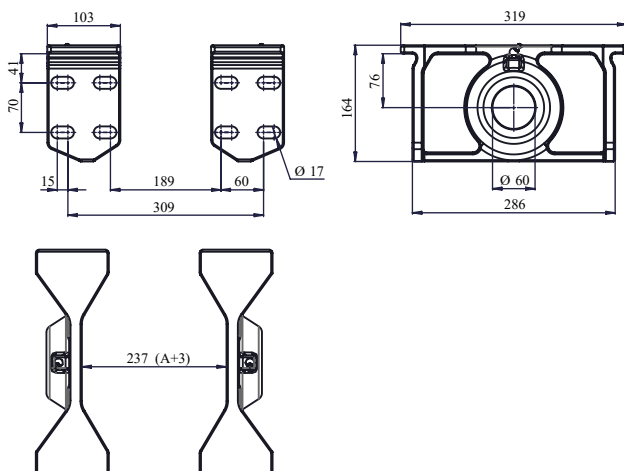
TECHNICAL NOTE

Mounting dimension (K) 1356 +20 (-5,+30)mm minimum pull out	Max pressure : 200 bar	Weight : 175 Kg
Seal ring Temperature : -40°C to +100°C	Max linear speed : 0.5 m/s	
Outer stage powder coated to semi glossy finish min thickness 30µm, RAL 9005		
All stage tubes are chrome plated to min 15µm		

This cylinder has been designed to provide only a linear pushing force. This cylinder is not a structural member and must not used as a stabliizer or subjected to side or pushing load.. This cylinder will not prevent the dump body or trailer from rollover or lateral tilt. Cylinder rated pressure reflect only the capability of the pressure-containing envelop and not the force trasmitting capability of mounting configurations. The original use of telescopic cylinder will not required any coating since the telescopic stages are exposed to atmospheric agents only duiring the tip-up operation. if duration is below 2 hours.

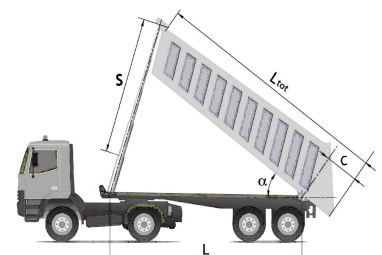
The tipping body weight + max payload are the maximum tipping weight that can be raised by this cylinder. This value calculated at the max pressure is a rough indication o fht etipping load of the cylinder and must be used as a first criteria for the selection of the cylinder. The real tipping weight can only be calculated by the design engineer and must take into account the geometry of the tipping body, operating condition and all the reasonably foreseeable users.

Cylinder bottom bracket



Tipping angle

Stroke L [mm]	BODY TILTING α [°]				
	40	45	48	50	55
4000	2736	3061	3254	3381	3694
4500	3078	3444	3661	3804	4156
5000	3420	3827	4067	4226	4617
5300	3625	4056	4311	4480	4895
5600	3831	4286	4555	4733	5172
6000	4104	4592	4881	5071	5541
6300	4309	4822	5125	5325	5818
6600	4515	5051	5369	5579	6095
7000	4788	5358	5694	5917	6464
7300	4993	5587	5938	6170	6742
7600	5199	5817	6182	6424	7019



$$\alpha = \text{Stroke} \times \left(\frac{60}{L}\right)$$