

# XP (21 UNI 222)

**ORDERING CODE**

31230XXXX/200FZ00XXXX

**APPLICATION**

TIPPER

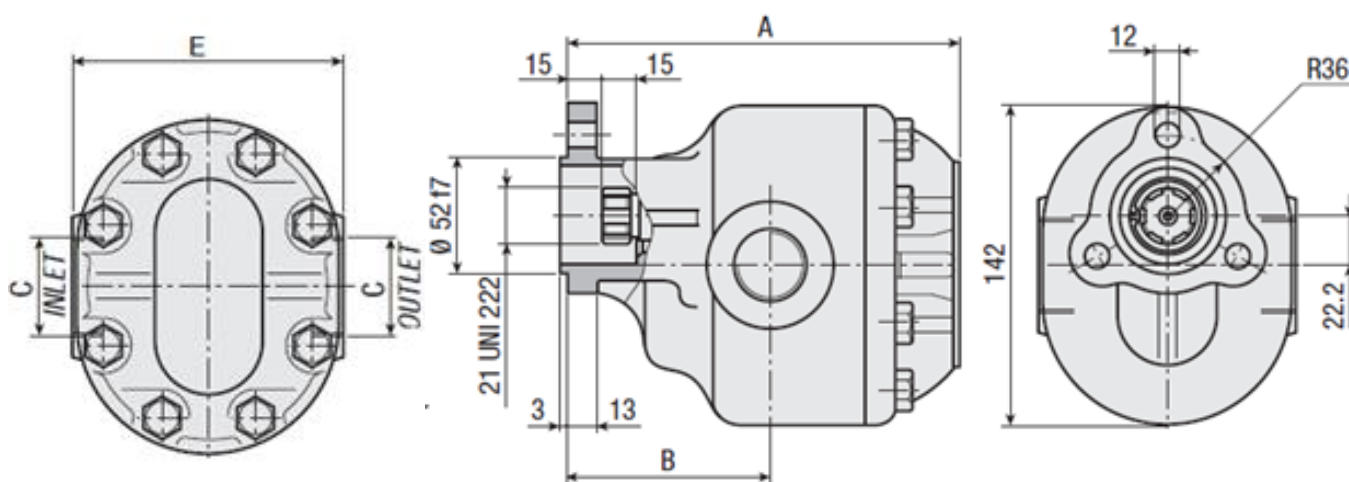
**PUMP MOUNTING KIT ON REQUEST**

PART NUMBER-2050020000



**SIDE INLET / SIDE OUTLET PUMPS**

TYPE	PART NO	DISPLACEMENT cm <sup>3</sup> /rev	A mm	B mm	C BSP	D BSP	E mm	WEIGHT Kg
XP 43 CW	3123043200	43	159	90.5	1"	1"	116	8.6
XP 43 CCW	200FZ0043S0	43	159	90.5	1"	1"	116	8.6
XP 57 CW	3123057200	57	169	90.5	1"	1"	116	9.5
XP 57 CCW	200FZ0057S0	57	169	90.5	1"	1"	116	9.5
XP 65 CW	31230650200	65	174	90.5	1"	1"	116	9.9
XP 65 CCW	200FZ0065S0	65	174	90.5	1"	1"	116	9.9
XP 83 CW	3123083200	83	189	90.5	1"	1"	116	11.2
XP 83 CCW	200FZ0083S0	83	189	90.5	1"	1"	116	11.2



ON REQUEST OUR GEAR PUMP MAY BE SUPPLIED WITH HNBR SEALS FOR COLD CLIMATES (-40°C)

IPH reserves the right to modify the technical data mentioned into this catalogue without notice.  
The herewith mentioned data are not bounding.

# XP (21 UNI 222)

**ORDERING CODE**

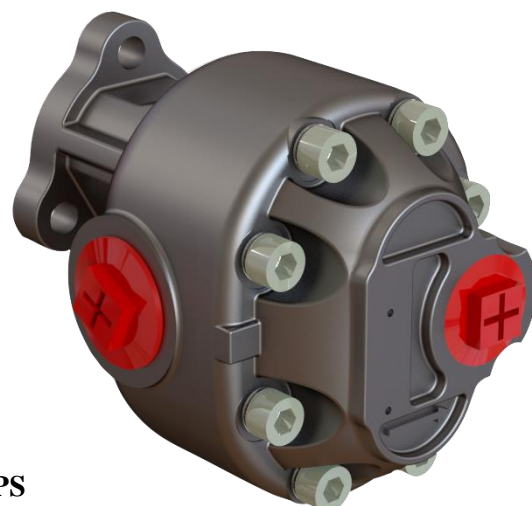
**IXPR0XXXXX**

**APPLICATION**

**TIPPER**

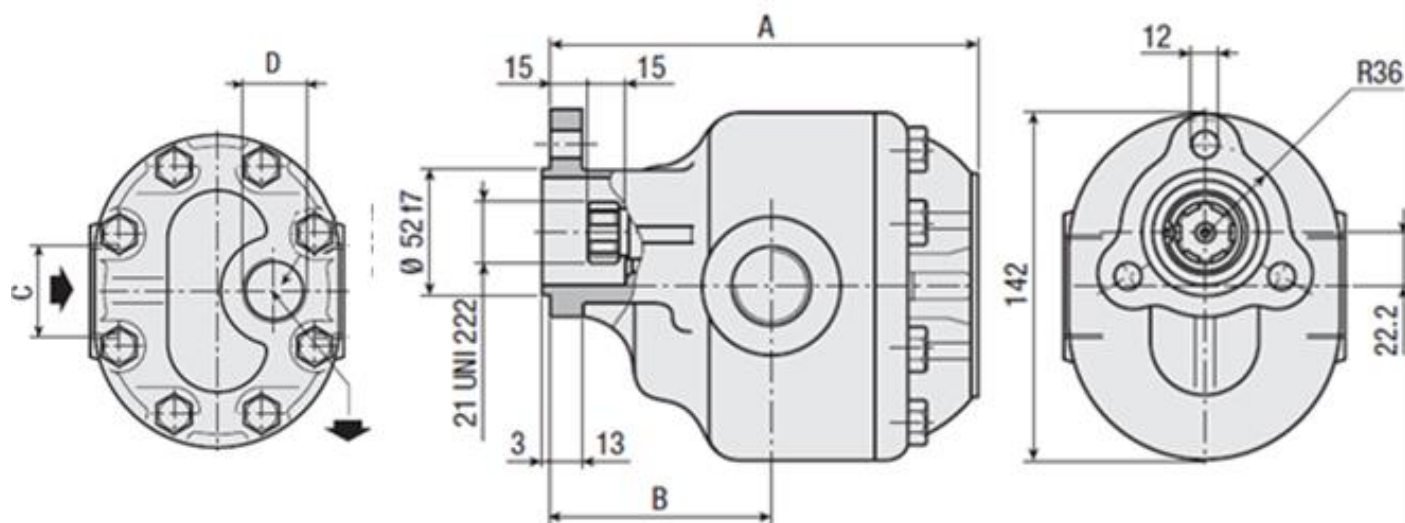
**PUMP MOUNTING KIT ON REQUEST**

**PART NUMBER-2050020000**



**SIDE INLET / REAR OUTLET PUMPS**

TYPE	PART NO	DISPLACEMENT cm <sup>3</sup> /rev	A mm	B mm	C BSP	D BSP	E mm	WEIGHT Kg
<b>XP 25 CW</b>	IXPR025213	25	151	81	3/4"	3/4"	116	7.5
<b>XP 25 CCW</b>	IXPR025113	25	151	81	3/4"	3/4"	116	7.5
<b>XP 43 CW</b>	IXPR043213	43	159	90.5	1"	3/4"	116	8.6
<b>XP 43 CCW</b>	IXPR043113	43	159	90.5	1"	3/4"	116	8.6
<b>XP 57 CW</b>	IXPR057213	57	169	90.5	1"	3/4"	116	9.5
<b>XP 57 CCW</b>	IXPR057113	57	169	90.5	1"	3/4"	116	9.5
<b>XP 65 CW</b>	IXPR065213	65	174	90.5	1"	3/4"	116	9.9
<b>XP 65 CCW</b>	IXPR065113	65	174	90.5	1"	3/4"	116	9.9
<b>XP 83 CW</b>	IXPR083213	83	189	90.5	1"	3/4"	116	11.2
<b>XP 83 CCW</b>	IXPR083113	83	189	90.5	1"	3/4"	116	11.2



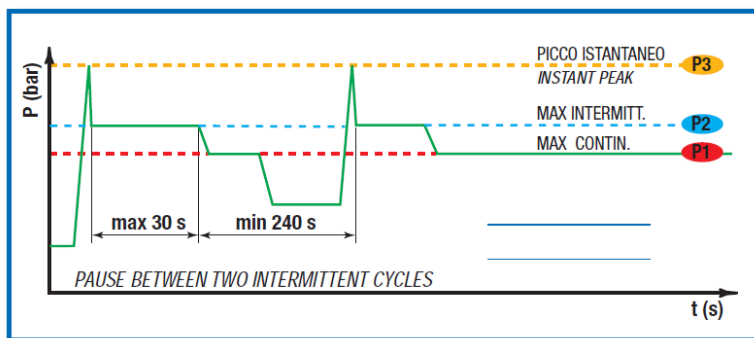
ON REQUEST OUR GEAR PUMP MAY BE SUPPLIED WITH HNBR SEALS FOR COLD CLIMATES (-40°C)

IPH reserves the right to modify the technical data mentioned into this catalogue without notice.  
The herewith mentioned data are not bounding.

<b>Inlet pressure:</b>	0.7 ÷ 1.5 bar <i>(absolute)</i>
<b>Operating viscosity range:</b>	12 ÷ 100 cSt
<b>Fluid temperature °C (t):</b>	-10° + 80° C

Working Press. P2	Contamination		Filter βx = 75
	NAS 1638	ISO 4406	
≤ 200 bar	12	21/18	40 μm
≥ 200 bar	11	20/17	25 μm

### EXAMPLE OF WORKING CYCLES



### TECHNICAL SPECIFICATION

TYPE			XP 25	XP 43	XP 57	XP 65	XP 83
<b>Displacement</b>	Vg	cm <sup>3</sup> /rev	25	43	57	65	83
<b>Max continuous operating pressure</b>	P1	bar	305	280	260	220	210
<b>Max intermit. Operating pressure (max 30s)</b>	P2		330	305	285	240	230
<b>Max peak pressure (≤ 0.1s)</b>	P3		450	400	380	330	300
<b>Max intermittent speed (P ≤ 20 bar)</b>	n3	rpm	3000	2500	2500	2300	1800
<b>Max continuous speed (≤ P1)</b>	n1		2500	2000	2000	1800	1500
<b>Min intermittent speed (≤ P2 x 0.5) (max 30s)</b>	n4		450	350	300	300	300

ON REQUEST OUR GEAR PUMP MAY BE SUPPLIED WITH HNBR SEALS FOR COLD CLIMATES (-40°C)

IPH reserves the right to modify the technical data mentioned into this catalogue without notice.  
The herewith mentioned data are not bounding.