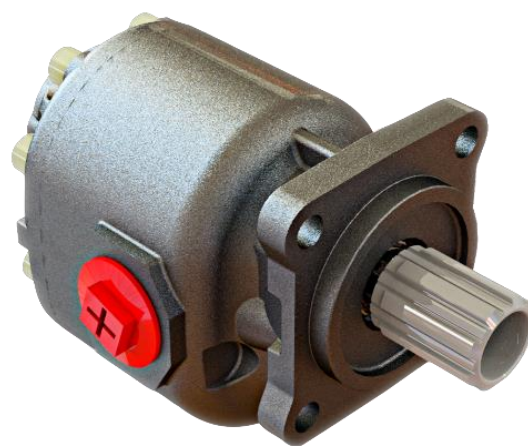


XPL (DIN 5462)

BI-DIRECTIONAL PUMP

ORDERING CODE

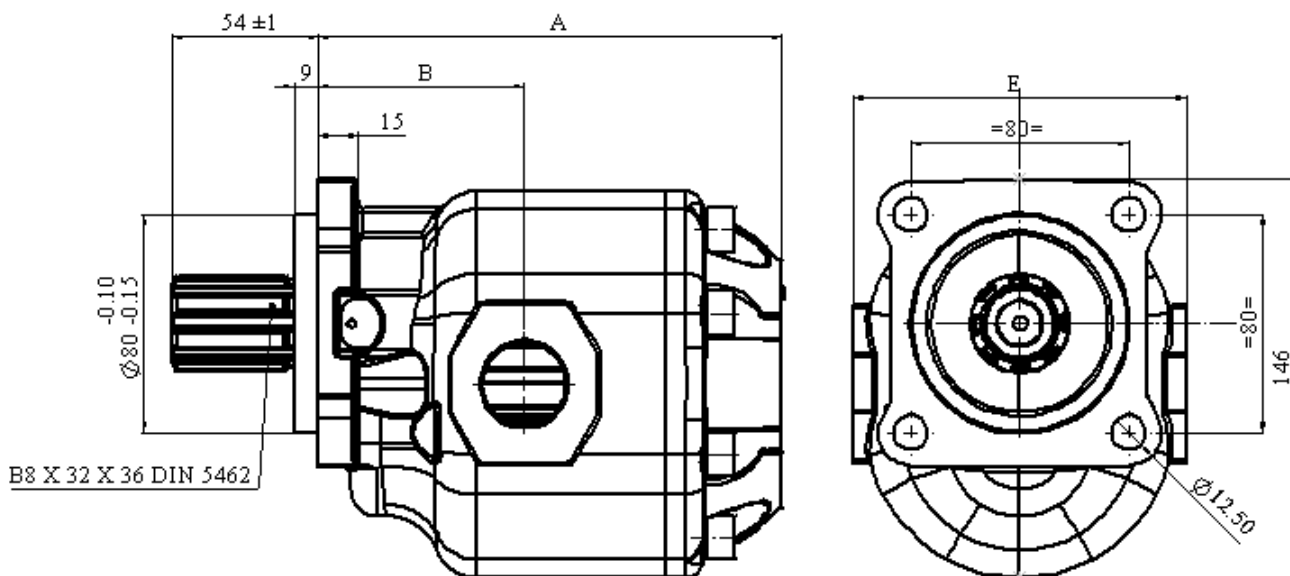
31290XXXXXXX



APPLICATION

TIPPER

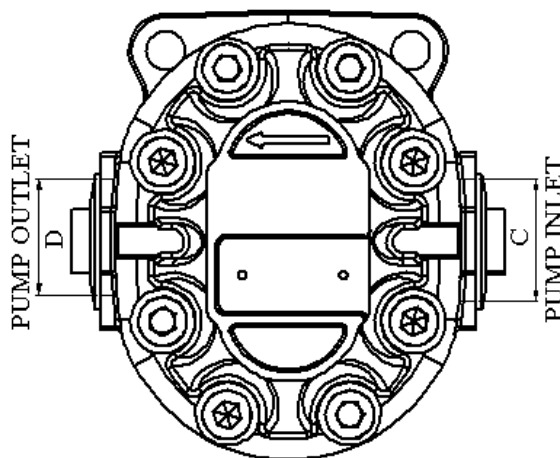
TYPE	PART NO	DISPLACEMENT cm ³ /rev	A mm	B mm	C BSP	D BSP	E mm	WEIGHT Kg
XPL 43	312904303T0S	43	140	71	1"	1"	116	9.5
XPL 57	312905703T0S	57	150	76	1"	1"	124	10.5
XPL 65	312906503T0S	65	155	76	1"	1"	122	10.9
XPL 83	312908303T0S	83	170	76	1"	1"	122	12



ON REQUEST OUR GEAR PUMP MAY BE SUPPLIED WITH HNBR SEALS FOR COLD CLIMATES (-40°C)

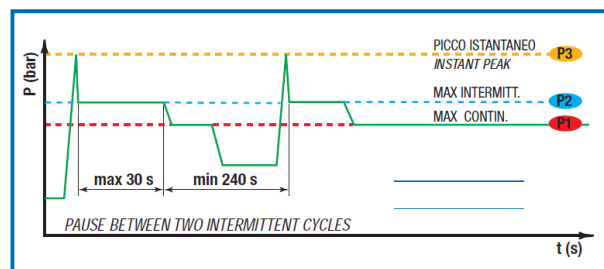
IPH reserves the right to modify the technical data mentioned into this catalogue without notice.
The herewith mentioned data are not bounding.

SIDE IN / SIDE OUT



Inlet pressure:	0.7 ÷ 1.5 bar (absolute)		
Operating viscosity range:	12 ÷ 100 cSt		
Fluid temperature °C (t):	-10° + 80° C		
Working Press. P2	Contamination		Filter βx = 75
	NAS 1638	ISO 4406	
≤ 200 bar	12	21/18	40 μm
≥ 200 bar	11	20/17	25 μm

EXAMPLE OF WORKING CYCLES



TECHNICAL SPECIFICATION

TYPE		XPL25	XPL43	XPL57	XPL65	XPL83
Displacement	Vg cm ³ /rev	25	43	57	65	83
Max continuous operating pressure	P1 bar	305	280	260	220	210
Max intermit. Operating pressure (max 30s)	P2 bar	330	305	285	240	230
Max peak pressure (≤ 0.1s)	P3 bar	450	400	380	330	300
Max intermittent speed (P ≤ 20 bar)	n3 rpm	3000	2500	2500	2300	1800
Max continuous speed (≤ P1)	n1 rpm	2500	2000	2000	1800	1500
Min intermittent speed (≤ P2 x 0.5) (max 30s)	n4 rpm	450	350	300	300	300

ON REQUEST OUR GEAR PUMP MAY BE SUPPLIED WITH HNBR SEALS FOR COLD CLIMATES (-40°C)

IPH reserves the right to modify the technical data mentioned into this catalogue without notice.
The herewith mentioned data are not bounding.