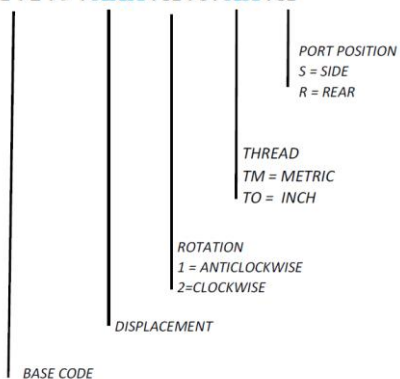


XPL (DIN 5462)

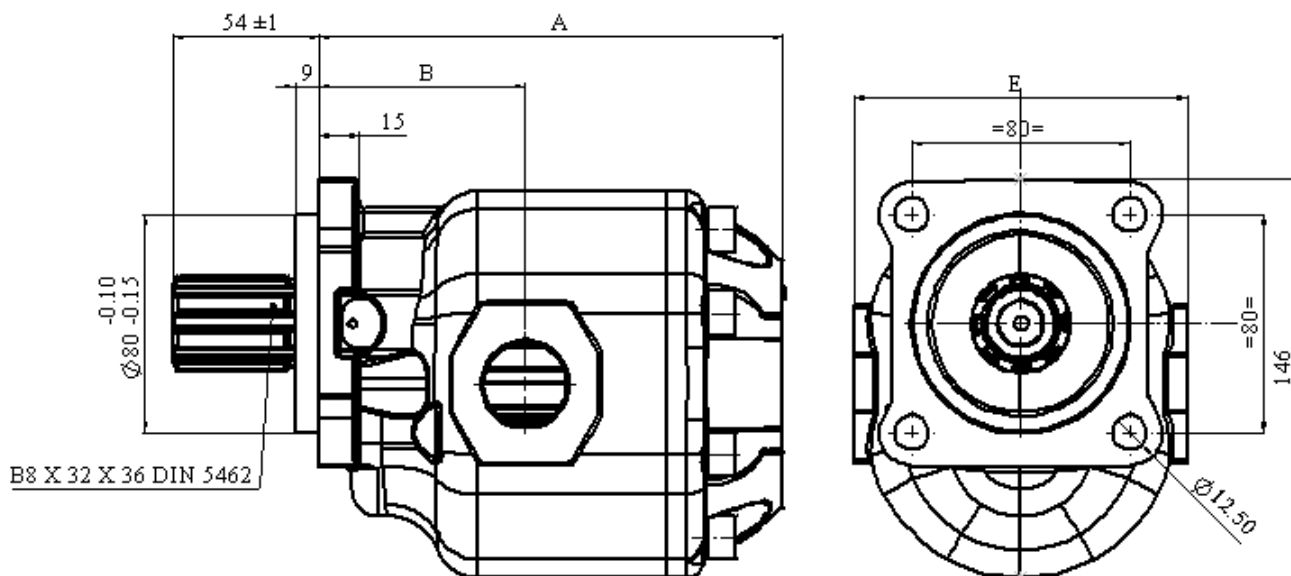
3 . 1 . 2 . 9 . **XXX** . X . 3 . **XX** . X



APPLICATION

TIPPER

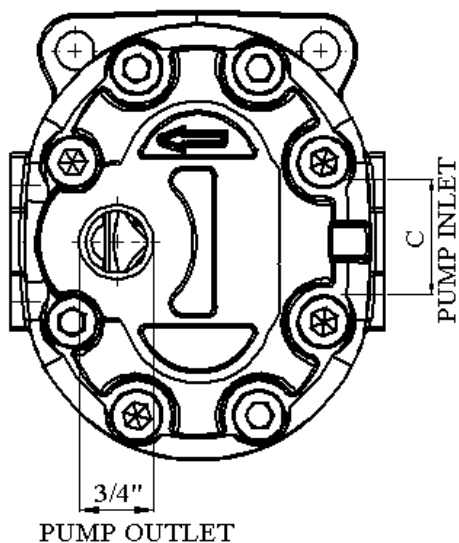
TYPE	PART NO	DISPLACEMENT cm ³ /rev	A mm	B mm	C BSP	D BSP	E mm	WEIGHT Kg
XPL 43	312904313T0S/R	43	140	71	1"	1"	116	9.5
	312904323T0S/R	43	140	71	1"	1"	116	9.5
XPL 57	312905713T0S/R	57	150	76	1"	1"	124	10.5
	312905723T0S/R	57	150	76	1"	1"	124	10.5
XPL 65	312906513T0S/R	65	155	76	1"	1"	122	10.9
	312906523T0S/R	65	155	76	1"	1"	122	10.9
XPL 83	312908313T0S/R	83	170	76	1"	1"	122	12
	312908313T0S/R	83	170	76	1"	1"	122	12



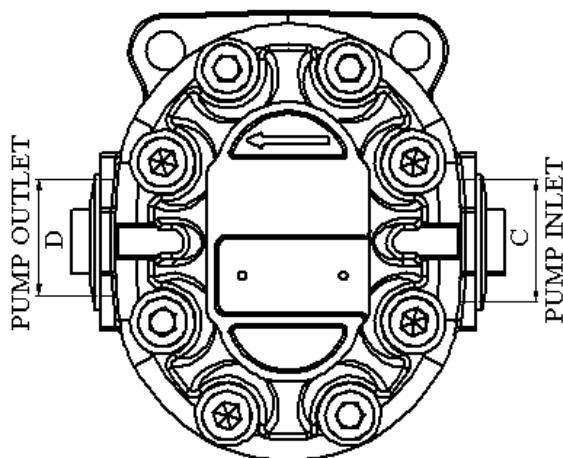
ON REQUEST OUR GEAR PUMP MAY BE SUPPLIED WITH HNBR SEALS FOR COLD CLIMATES (-40°C)

IPH reserves the right to modify the technical data mentioned into this catalogue without notice.
The herewith mentioned data are not bounding.

SIDE IN / REAR OUT

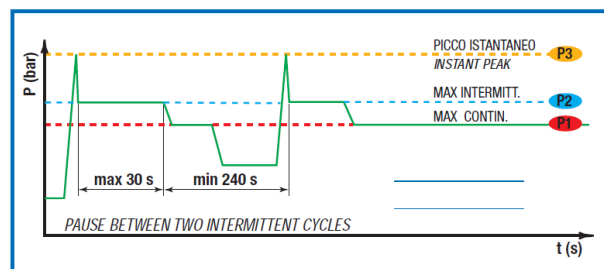


SIDE IN / SIDE OUT



Inlet pressure:	0.7 ÷ 1.5 bar (absolute)		
Operating viscosity range:	12 ÷ 100 cSt		
Fluid temperature °C (t):	-10° + 80° C		
Working Press. P2	Contamination		Filter βx = 75
	NAS 1638	ISO 4406	
≤ 200 bar	12	21/18	40 μm
≥ 200 bar	11	20/17	25 μm

EXAMPLE OF WORKING CYCLES



TECHNICAL SPECIFICATION

TYPE		XPL25 XPL43 XPL57 XPL65 XPL83					
Displacement	Vg	cm ³ /rev	25	43	57	65	83
Max continuous operating pressure	P1	bar	305	280	260	220	210
Max intermit. Operating pressure (max 30s)	P2		330	305	285	240	230
Max peak pressure (≤ 0.1s)	P3		450	400	380	330	300
Max intermittent speed (P ≤ 20 bar)	n3	rpm	3000	2500	2500	2300	1800
Max continuous speed (≤ P1)	n1		2500	2000	2000	1800	1500
Min intermittent speed (≤ P2 x 0.5) (max 30s)	n4		450	350	300	300	300

ON REQUEST OUR GEAR PUMP MAY BE SUPPLIED WITH HNBR SEALS FOR COLD CLIMATES (-40°C)

IPH reserves the right to modify the technical data mentioned into this catalogue without notice.
The herewith mentioned data are not bounding.